

ANDESITE IGNEOUS GRANITE INSET SINK AND1052SN/

RANGEmaster
sinks & taps



Size: 1000 x 500 mm

Encompassing a simple yet sleek drainer pattern design and featuring large geometric bowls with low radius corners, the Andesite kitchen sink offers a stunning design for a trend conscious home.

- Igneous granite
- Reversible drainer
- Waste kit included
- 25 year warranty

Material	Igneous Granite
Material Gauge	-
Material Finish Bowl	-
Material Finish Drainer	-
Drainer Position	Reversible
Overall Length (mm)	1000
Overall Width (mm)	500
Main Bowl Length (mm)	345
Main Bowl Width (mm)	430
Main Bowl Depth (mm)	200
Second Bowl Length (mm)	155
Second Bowl Width (mm)	340
Second Bowl Depth (mm)	146
Tap hole Size (mm)	-
Waste Size (mm)	2 x 90
Waste Kit	Included with sink (2 x 90mm BSW & overflow kit)
Min. Base Unit (mm)	600
Cutout Size Length (mm)	980
Cutout Size Width (mm)	480
Warranty Sinks (years)	0
Product Code	AND1052SN/
Barcode	5015834049151

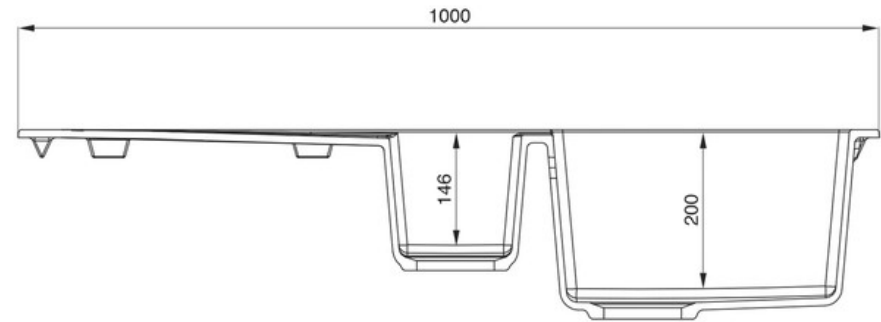
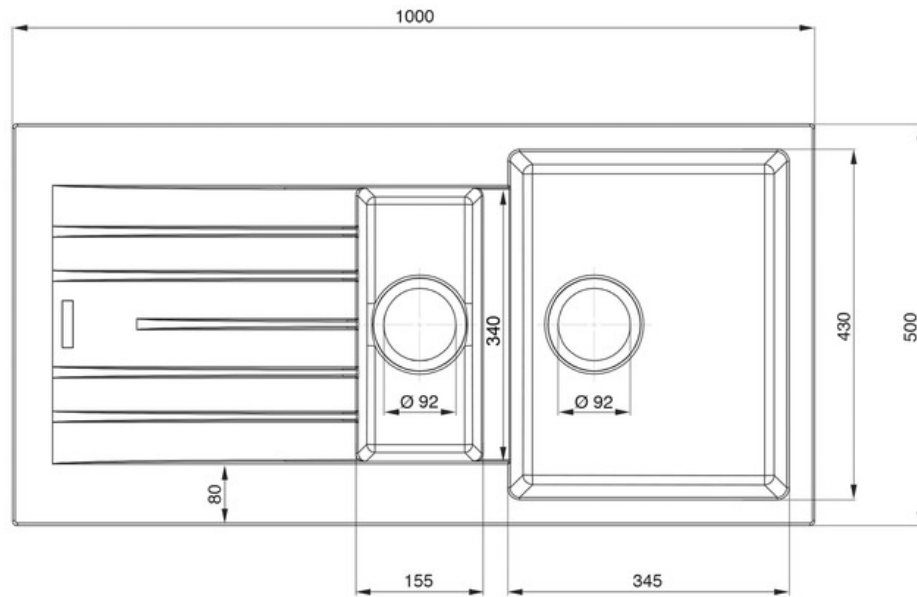
Date of download: September 12, 2022

AGA Rangemaster continuously seeks improvements in specification, design and production of products and thus, alterations take place periodically. Whilst every effort is made to produce up-to date resources, the information included here is intended as a guide. Always refer to the product's installation instructions when fitting, installation work should be completed a professional tradesman.

ANDESITE IGNEOUS GRANITE INSET SINK

AND1052SN/

Technical Drawing



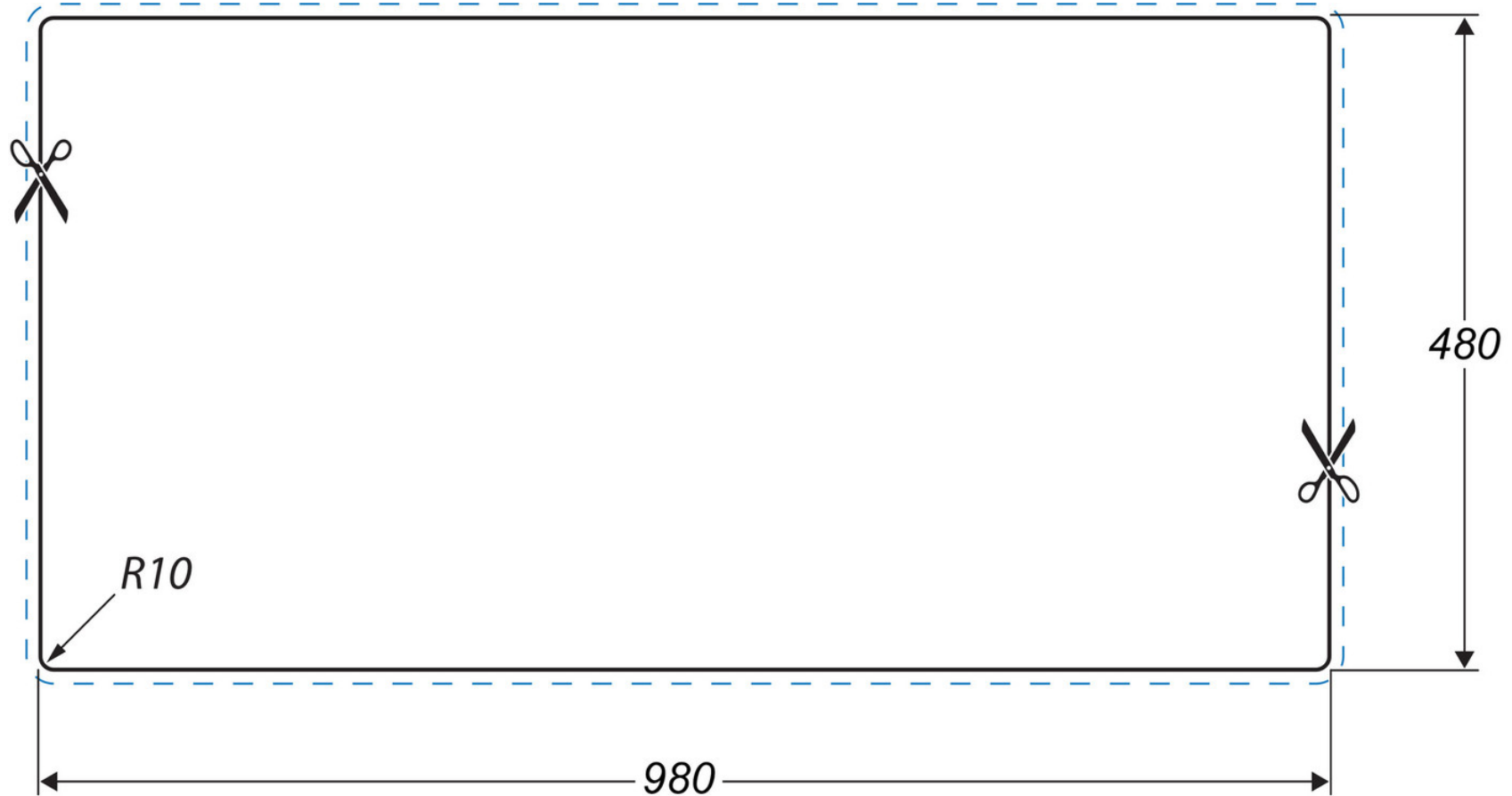
Date of download: September 12, 2022

AGA Rangemaster continuously seeks improvements in specification, design and production of products and thus, alterations take place periodically. Whilst every effort is made to produce up-to date resources, the information included here is intended as a guide. Always refer to the product's installation instructions when fitting, installation work should be completed a professional tradesman.

ANDESITE IGNEOUS GRANITE INSET SINK

AND1052SN/

Cut Out Template
Dimensions in mm. Not to scale.



Date of download: September 12, 2022

AGA Rangemaster continuously seeks improvements in specification, design and production of products and thus, alterations take place periodically. Whilst every effort is made to produce up-to date resources, the information included here is intended as a guide. Always refer to the product's installation instructions when fitting, installation work should be completed a professional tradesman.