

D15-10 Manual waste and overflow set for double bowl

Surfaces: **Stainless Steel** Article Number: **43922800**

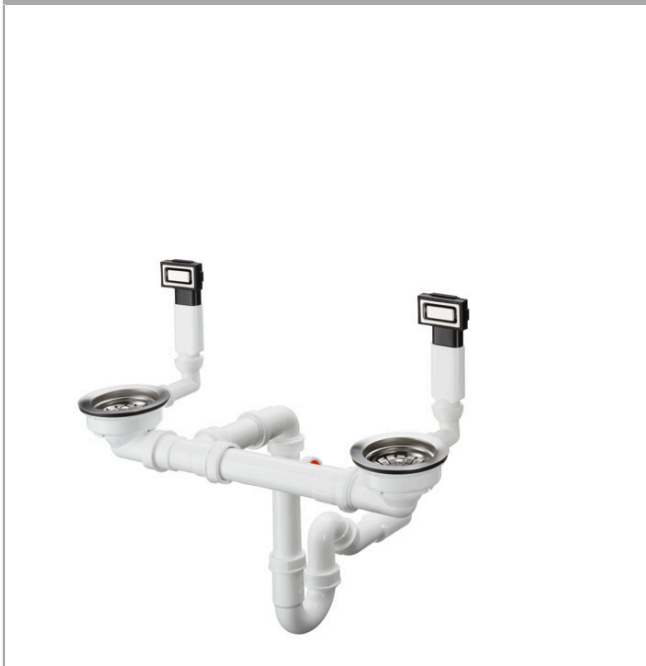


Description

product features

- consists of: waste and overflow set, screen basket, trap
- drain system: drain operation of main bowl and additional bowl via pushing/pulling screen basket
- diameter 40 / 50
- 1 1/2" with space-saving drain pipe and odor trap
- screen basket: 3 1/2"

Product image

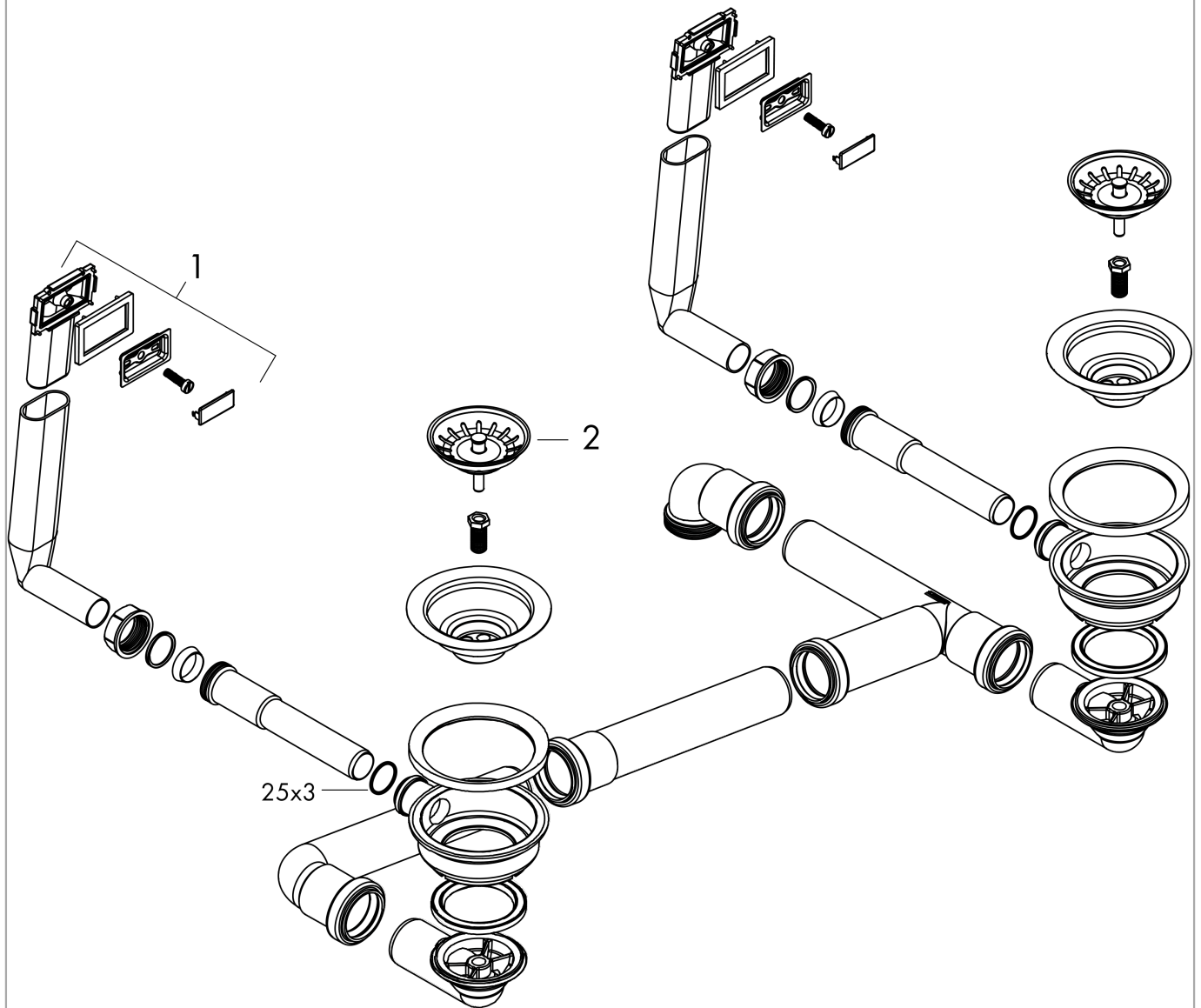


D15-10 Manual waste and overflow set for double bowl
 Surfaces: **Stainless Steel** Article Number: **43922800**



Exploded Drawing

Year of production: >09/19



D15-10 Manual waste and overflow set for double bowl

Surfaces: **Stainless Steel** Article Number: **43922800**



Spare part list

Year of production: >09/19

Pos.	Description	Article Number	Price	PU
1	waste	94750800	-	1
2	plug	93471800	€ 57,12	1