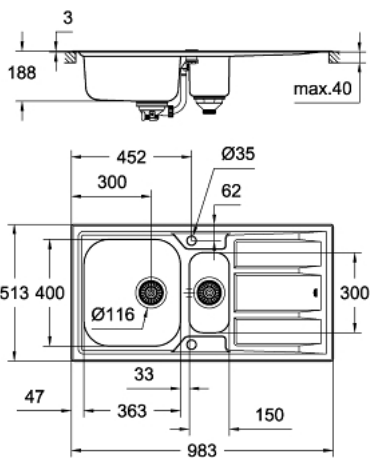


31 569 SD0 STAINLESS STEEL SINK WITH DRAINER



PRODUCT DESCRIPTION

- model: K400+ 60-S 98.3/51.3 1.5 rev
- mounting type: flat edge
- material: stainless steel AISI 316 (V4A)
- material thickness: 0.7 mm
- **GROHE StarLight** finish
- finish: satin finish
- **GROHE Whisper**
- min. cabinet size: 600 mm
- dimensions: 983 x 513 mm
- 1 bowl: 363 x 400 x 188 mm
- 0.5 bowl: 150 x 300 x 188 mm
- outer radius: R10, inner bowl radius: R95
- **GROHE FastFixation** installation system
- sink mountable left or right
- cut-out: 950 x 480 mm
- drilling holes: 2 x 35 mm
- drainer: automatic waste fitting
- accessories included: waste kit, basket strainer waste, mounting set
- amount of fasteners included (flat edge): 18

31 569 SD0 **STAINLESS STEEL SINK WITH DRAINER**

SPARE PARTS

1: plug (Order-nr. 42576SD0)

2: rotary handle (Order-nr. 42575SD0)

3: plug (Order-nr. 42580SD0)

