

Talis M52

Single lever kitchen mixer 170, pull-out spray, 2jet

Surfaces: **Chrome** Article Number: **32841000**



Description

product features

- consists of: single lever kitchen mixer
- ComfortZone 170
- swivel range 150°
- normal spray, shower spray
- lockable shower spray, spray returns automatically through handle closing
- quick connect hose
- connection dimension: DN15
- maximum flow rate at 3 bar: 10 l/min
- ceramic cartridge
- connection type: G 3/8 connections
- temperature limitation adjustable
- integrated non-return valve
- suitable for continuous flow water heaters

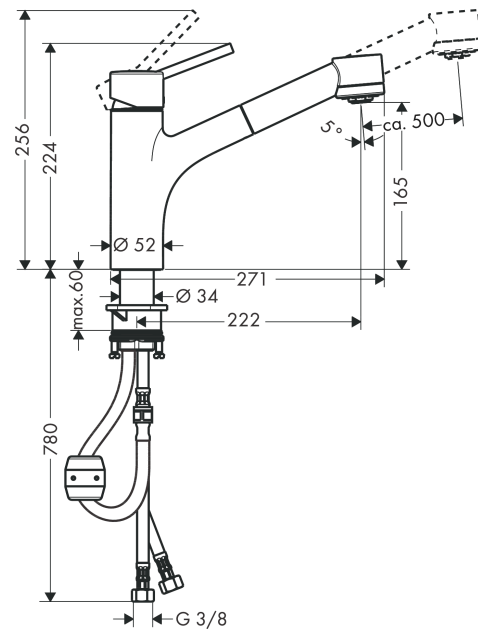
Technology



Product image



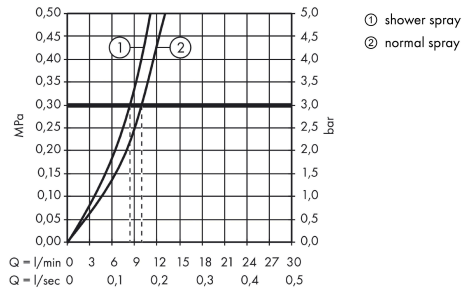
Scale drawing



Talis M52
Single lever kitchen mixer 170, pull-out spray, 2jet
 Surfaces: **Chrome** Article Number: **32841000**



Flowchart

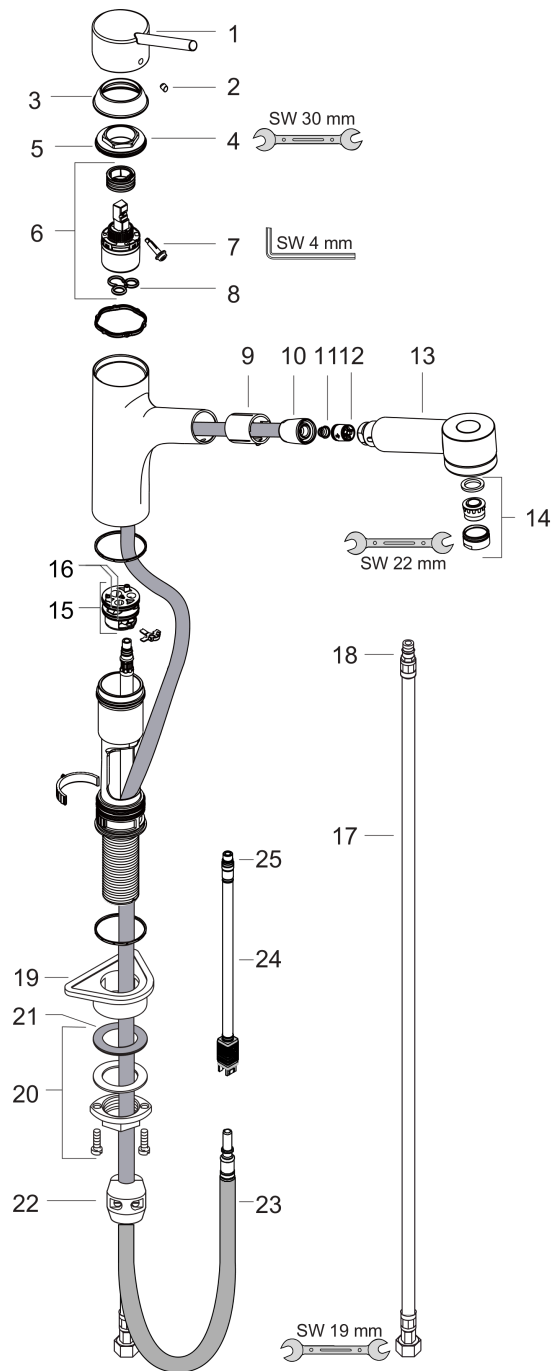


Talis M52
Single lever kitchen mixer 170, pull-out spray, 2jet
 Surfaces: **Chrome** Article Number: **32841000**



Exploded Drawing

Year of production: >05/20



Talis M52

Single lever kitchen mixer 170, pull-out spray, 2jet

Surfaces: **Chrome** Article Number: **32841000**



Spare part list

Year of production: >05/20

Pos.	Description	Article Number	Price	PU
1	handle	32892000	-	1
2	screw cover	96338000	-	1
3	flange	97995000	-	1
4	nut	97996000	-	1
5	O-ring 41x2	98212000	-	1
6	cartridge, assy	92730000	-	1
7	locking screw for handle	95140000	-	1
8	seal	95008000	-	1
9	insert for spout	92339000	-	1
10	nut	92757000	-	1
11	filter	97735000	-	1
12	set of non return valves DW 15	94074000	-	1
13	handspray	97999000	-	1
14	aerator M24x1 (15 l/min)	13913000	-	1
15	adapter for cartridge	95911000	-	1
16	O-Ring 30x2	98186000	-	1
17	connection hose 900 mm M8x0,75 G3/8	96316000	-	1
18	O-ring 8x1,75	97827000	-	1
19	support	97523000	-	1
20	fixing set (Ø 34)	95049000	-	1
21	lever collar	97548000	-	1
22	weight	98551000	-	1
23	hose 1,25 m	95506000	-	1
24	connection hose 600 mm	92264000	-	1
25	O-ring 7x1,5	98422000	-	1