

## Logis

### Single lever basin mixer 100 without waste set

Surfaces: **Chrome** Article Number: **71101000**



#### Description

##### product features

- ComfortZone 100
- projection 108 mm
- flow rate at 3 bar: 5 l/min
- ceramic cartridge
- temperature limitation adjustable
- suitable for continuous flow water heaters
- connection type: G 3/8 connections
- connection dimension: DN15

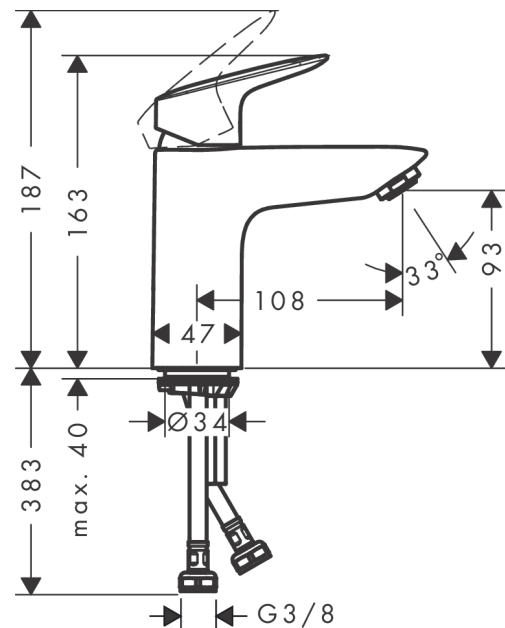
#### Technology



#### Product image



#### Scale drawing



#### Flowchart

