

## Basic set for 4-hole rim mounted bath mixer

Surfaces: n.a. Article Number: 13244180



### Description

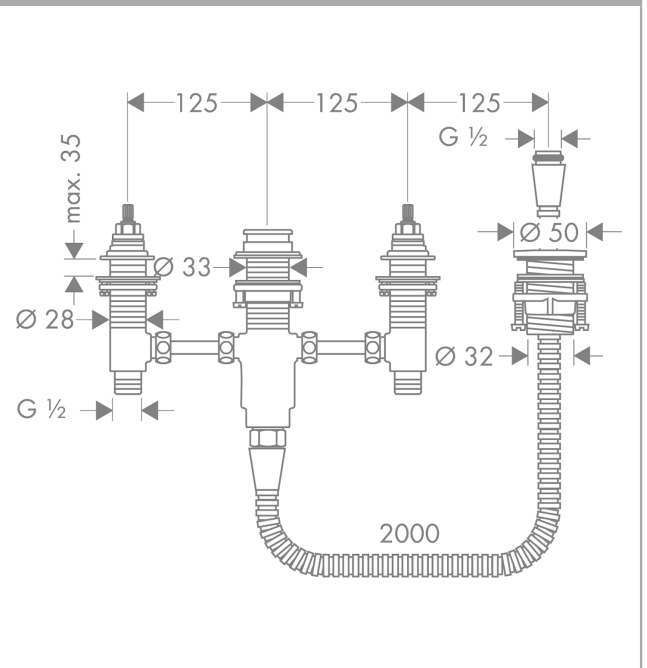
#### product features

- consists of: basic set, shower holder, shower hose
- maximum pull-out length of hand shower: 1.60 m
- maintenance opening required
- suitable for 4-hole rim mounted bath mixer
- connection thread: G 1/2
- connection dimension: DN15
- ceramic valves hot/ cold 90°

### Product image



### Scale drawing



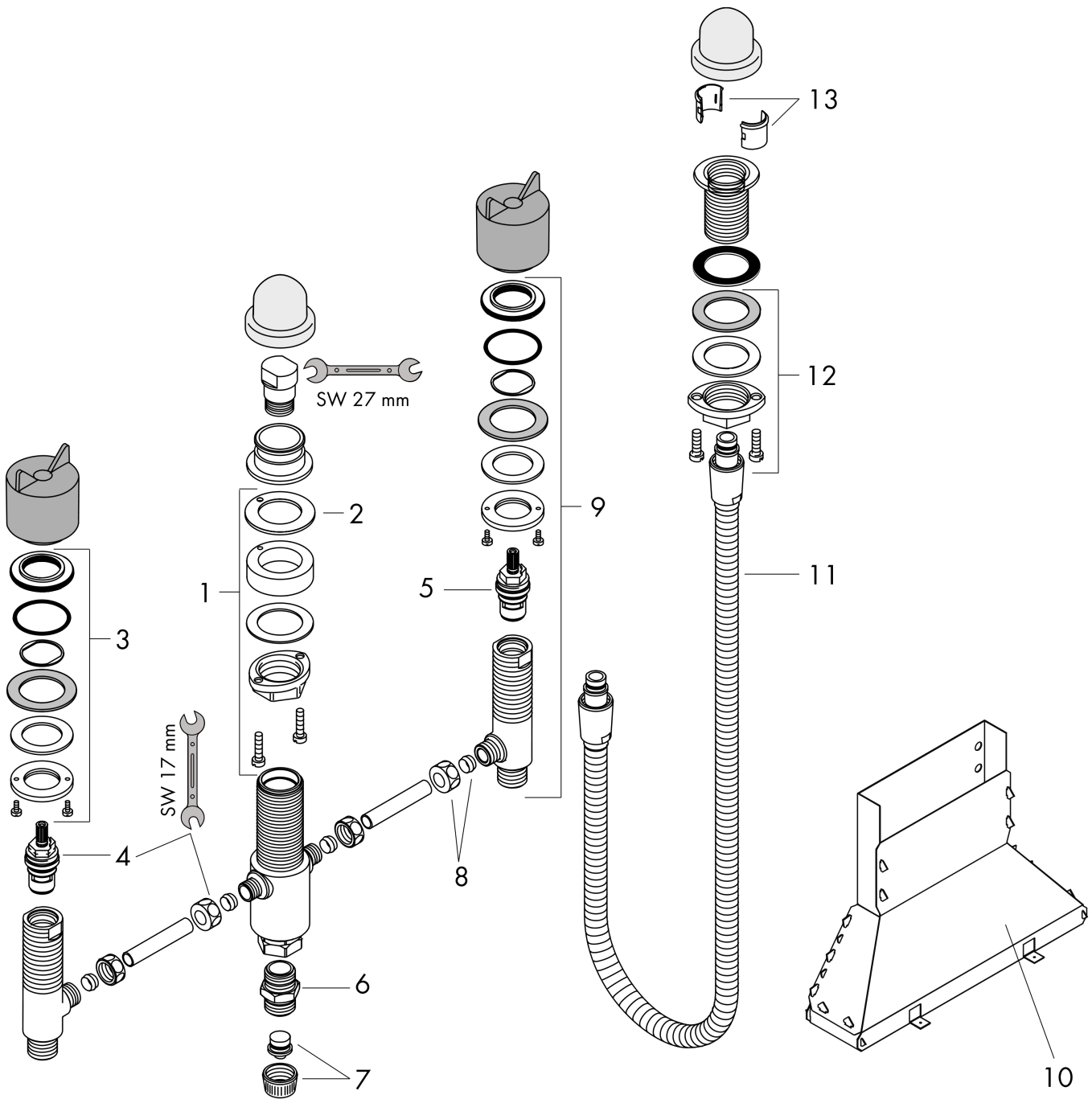
**Basic set for 4-hole rim mounted bath mixer**

Surfaces: n.a. Article Number: 13244180



**Exploded Drawing**

Year of production: >06/09



**Basic set for 4-hole rim mounted bath mixer**Surfaces: n.a. Article Number: **13244180****Spare part list**

Year of production: &gt;06/09

Pos.	Description	Article Number	Price	PU
1	fixing set for 4 hole bath mixer spout	96080000	-	1
2	seal	92582000	-	1
3	fixing set for shut off unit	96078000	-	1
4	shut off unit right closing	94009000	-	1
5	shut off unit left closing	94008000	-	1
6	connecting thread	97160000	-	1
7	plug	97568000	-	1
8	squeezing connection	88513000	-	1
9	stop valve cpl.	95660000	-	1
10	Secuflexbox	28389000	-	1
11	shower hose	97161000	-	1
12	fixing set (Ø 32)	13961000	-	1
13	insert for shower holder	96942000	-	1
a	fixation extension 35 mm	13898000	-	1