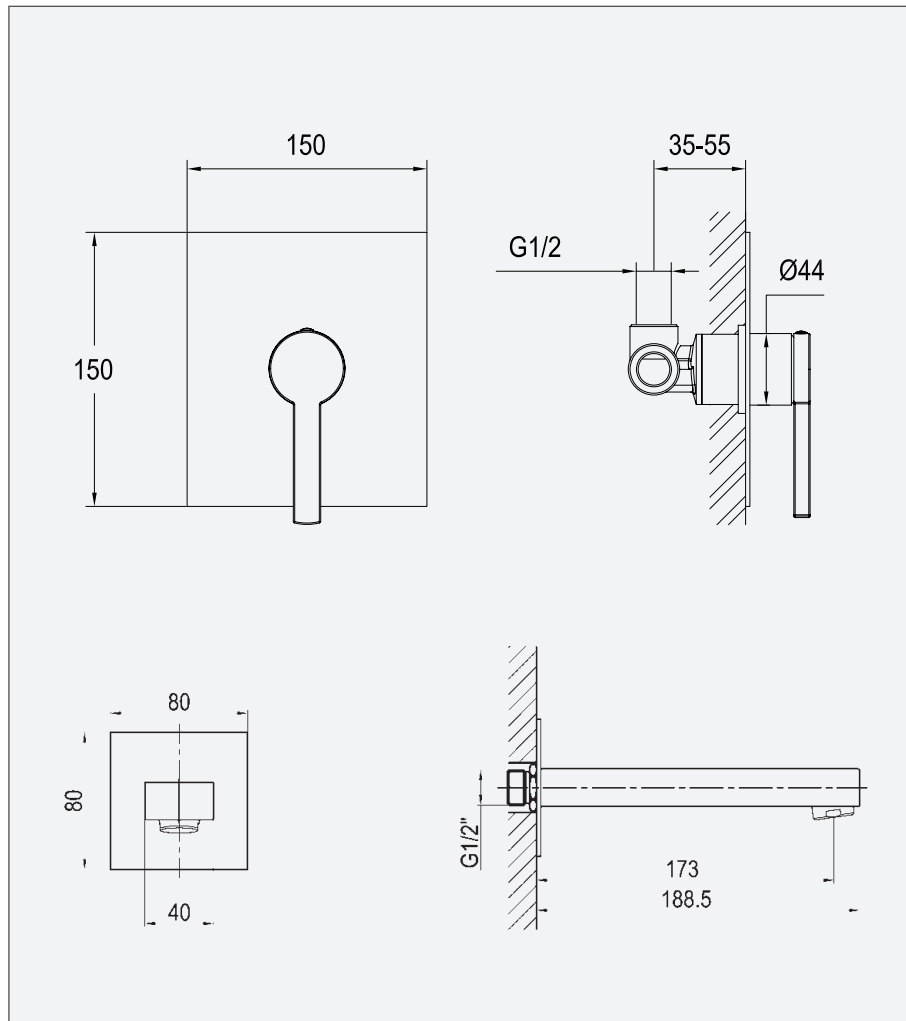


Merge - Wall Mounted Bath Filler



Merge Wall Mounted Bath Filler

Code: ME-WF

Features

- Includes Neoperl aerator to ensure smooth flow
- Discreet etching for hot and cold
- 10 year warranty (2year on cartridge)

Technical Details

- 2 tap hole wall mounted bath filler with manual valve - chrome
- 1/2" BSP inlets
- 10 year guarantee covering manufacturing faults



Operating Pressure	0.2 bar	0.5 bar	1 bar	2 bar
Flow Rate (L/min)	5.4	6.3	7.7	10.0

Unit 5, Kiltonga Industrial Estate,
Newtownards, Co Down,
Northern Ireland. BT23 4TJ

Sales Enquiries
Email: info@aquallabrassware.com

Tel: +44 (0) 28 9182 8000
Fax: +44 (0) 28 9181 2888

Technical and Aftersales
Email: support@aquallabrassware.com



www.aquallabrassware.com