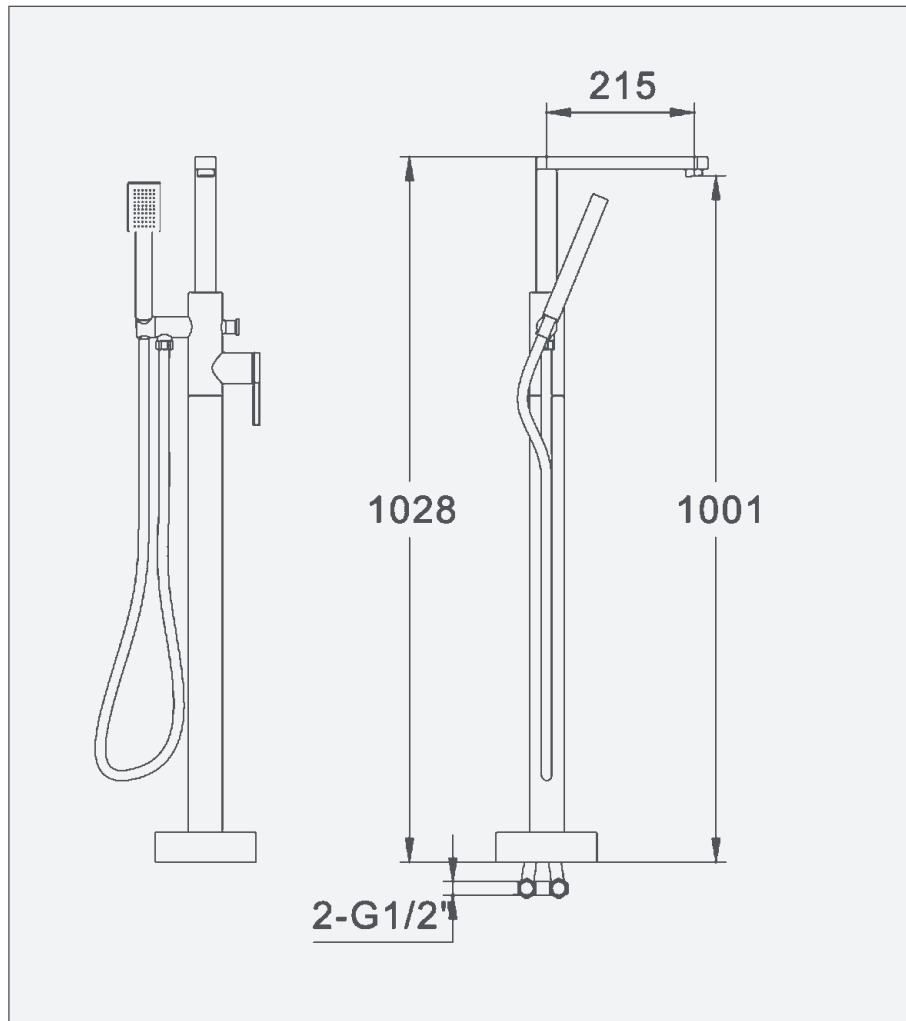


# Merge - Freestanding Bath Shower Mixer



## Merge Freestanding Bath Shower Mixer

Code: ME-FB

### Features

- Includes Neoperl aerator to ensure smooth flow
- Discreet etching for hot and cold
- 10 year warranty (2 year on cartridge)

### Technical Details

- 2 tap hole deck mounted bath filler - chrome
- 3/4" BSP inlets
- 10 year guarantee covering manufacturing faults



### Body

| Operating Pressure | 0.2 bar | 0.5 bar | 1 bar | 2 bar |
|--------------------|---------|---------|-------|-------|
| Flow Rate (L/min)  | 5.1     | 6.4     | 8.6   | 12.0  |

### Handset

| Operating Pressure | 0.2 bar | 0.5 bar | 1 bar | 2 bar |
|--------------------|---------|---------|-------|-------|
| Flow Rate (L/min)  | 4.7     | 6.1     | 8.1   | 10.8  |

Unit 5, Kiltonga Industrial Estate,  
Newtownards, Co Down,  
Northern Ireland. BT23 4TJ

**Sales Enquiries**  
Email: [info@aquallabrassware.com](mailto:info@aquallabrassware.com)

Tel: +44 (0) 28 9182 8000  
Fax: +44 (0) 28 9181 2888

**Technical and Aftersales**  
Email: [support@aquallabrassware.com](mailto:support@aquallabrassware.com)



[www.aquallabrassware.com](http://www.aquallabrassware.com)