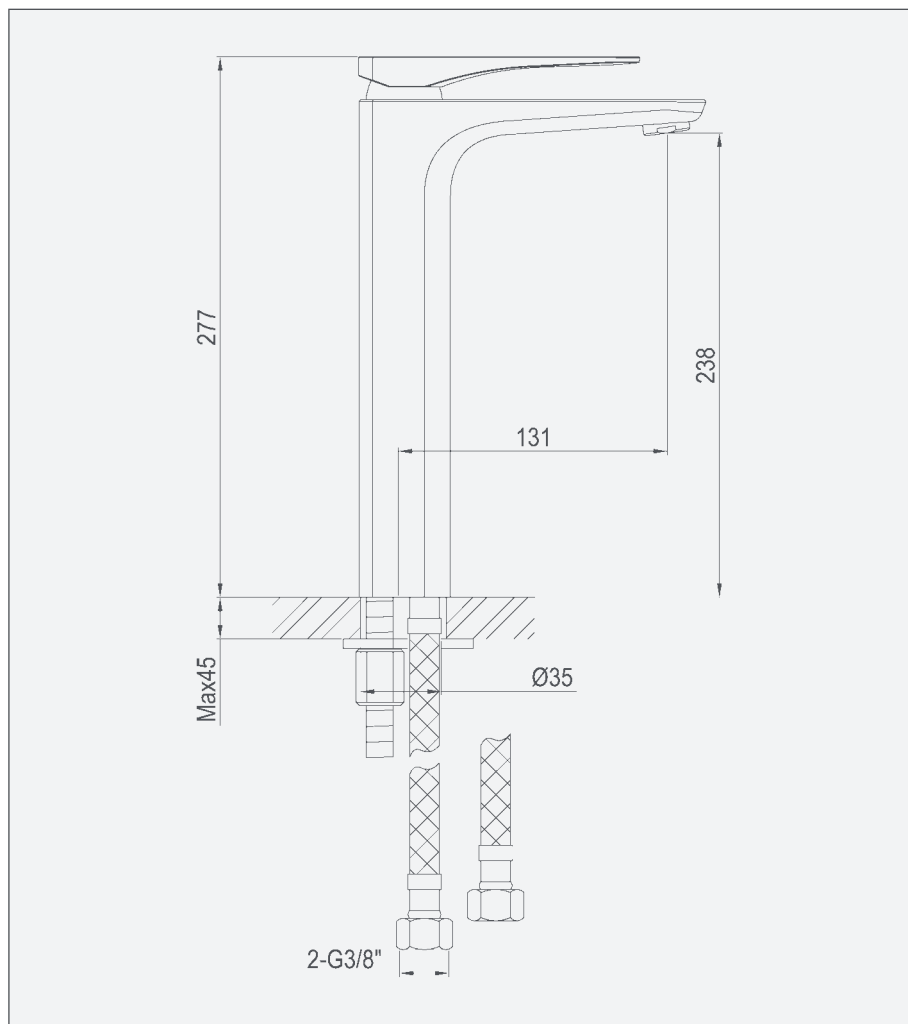


Drift - Tall Mono



Drift Tall Mono

Code: D-TB

Features

- Supplied with domed clicker waste and flexible tail water inlets
- Includes Neoperl aerator to ensure smooth flow
- Mounting base plate for premium finish
- 10 year warranty (2 year on cartridge)
- Descreet etching for hot and cold
- Hot and cold indicator stud supplied as standard option

Technical Details

- 1 tap hole basin mixer - chrome
- 1/2" flexible tail connections
- 10 year guarantee covering manufacturing faults



Operating Pressure	0.2 bar	0.5 bar	1 bar	2 bar
Flow Rate (L/min)	6.3	7.5	9.0	11.6

Unit 5, Kiltonga Industrial Estate,
Newtownards, Co Down,
Northern Ireland. BT23 4TJ

Sales Enquiries

Email: info@aquallabrassware.com

Tel: +44 (0) 28 9182 8000
Fax: +44 (0) 28 9181 2888

Technical and Aftersales

Email: support@aquallabrassware.com



www.aquallabrassware.com