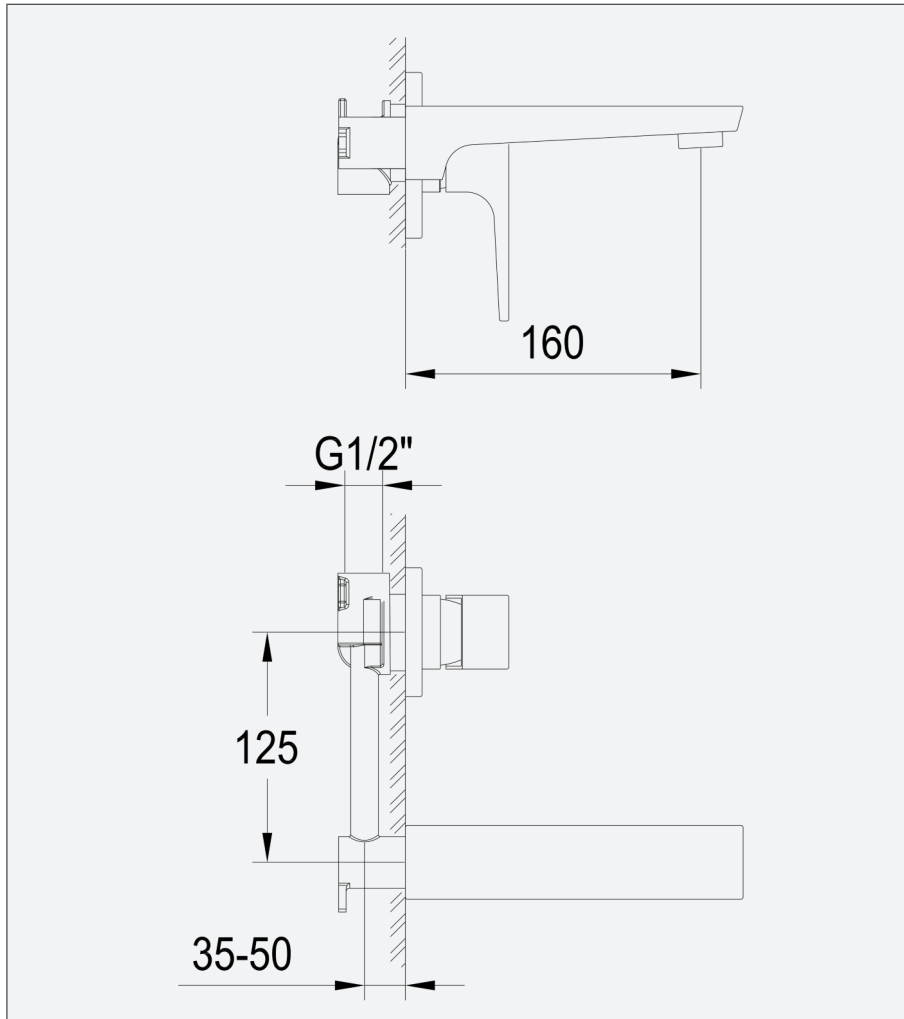


Ramore - Wall Mounted Basin Mixer



Ramore Wall Mounted Basin Mixer

Code: RAM-WT

Features

- Includes Neoperl aerator to ensure smooth flow
- Discreet etching for hot and cold
- 10 year warranty (2 year on cartridge)

Technical Details

- 2 hole wall mounted basin taps
- Oil rubbed bronze
- 1/2" BSP connections



Operating Pressure	0.2 bar	0.5 bar	1 bar	2 bar
Flow Rate (L/min)	N/A	N/A	8.8	11.4

Unit 4 & 5, Kiltonga Industrial Estate,
Newtownards, Co Down,
Northern Ireland. BT23 4TJ

Sales Enquiries
Email: info@aquallabrassware.com

Tel: +44 (0) 28 9182 8000
Fax: +44 (0) 28 9181 2888

Technical and Aftersales
Email: support@aquallabrassware.com



www.aquallabrassware.com