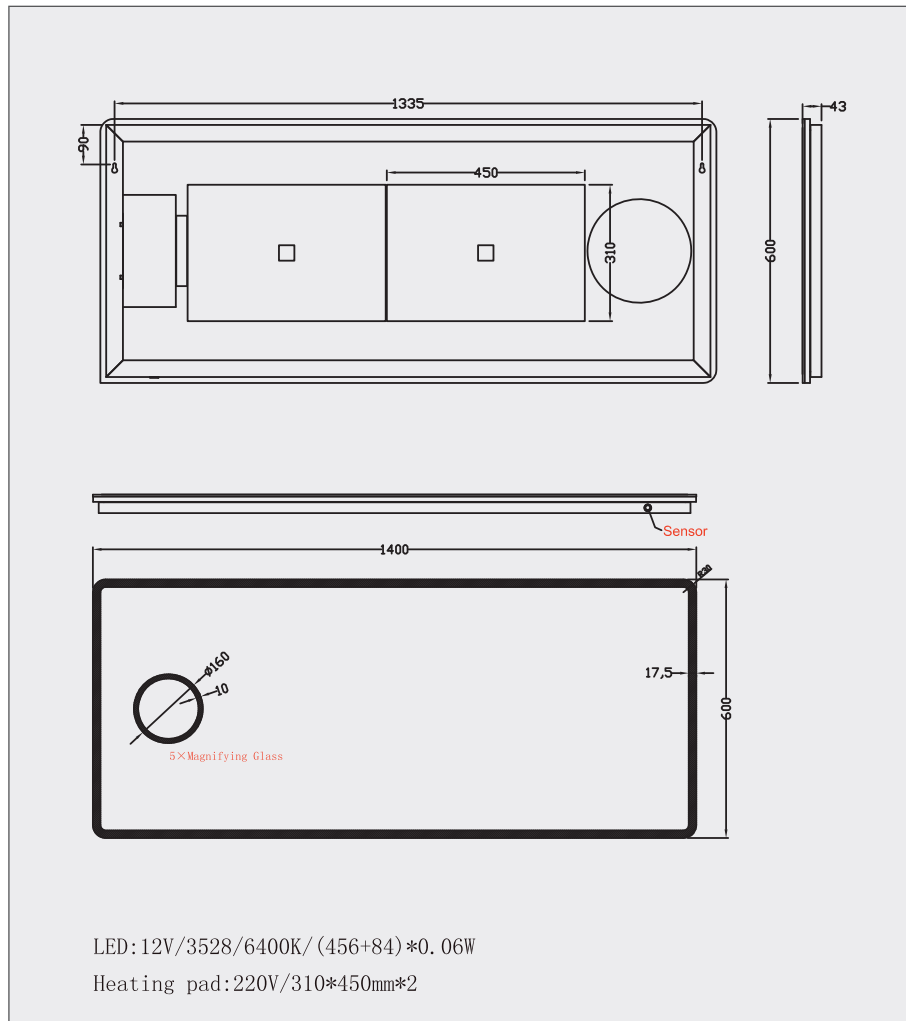


# Linea Plus Zoom - 1400mm x 600mm



LED: 12V/3528/6400K/ (456+84) \*0.06W

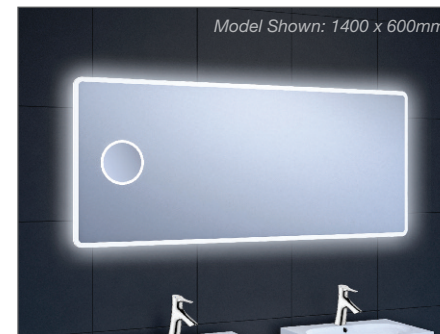
Heating pad: 220V/310\*450mm\*2

## Linea Plus Zoom - 1400mm x 600mm

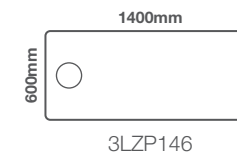
Code: 3LZP146

### Features

- Energy efficient one piece LED lighting strip
- Aesthetically softer design
- Heated demister pad
- 5x Magnification in-built shaving mirror
- Infrared on/off sensor



### Landscape Fitting Only



Units 3 & 4  
16 Crawfordsburn Road  
Newtownards  
County Down BT23 4EA

Tel: +44 (0) 28 9182 8000  
Fax: +44 (0) 28 9181 2888

### Sales Enquiries

Email: [info@aquallabrassware.com](mailto:info@aquallabrassware.com)

### Technical and Aftersales Support

Email: [support@aquallabrassware.com](mailto:support@aquallabrassware.com)



[www.aquallabrassware.com](http://www.aquallabrassware.com)

© 2019 Aqualla. All rights reserved.