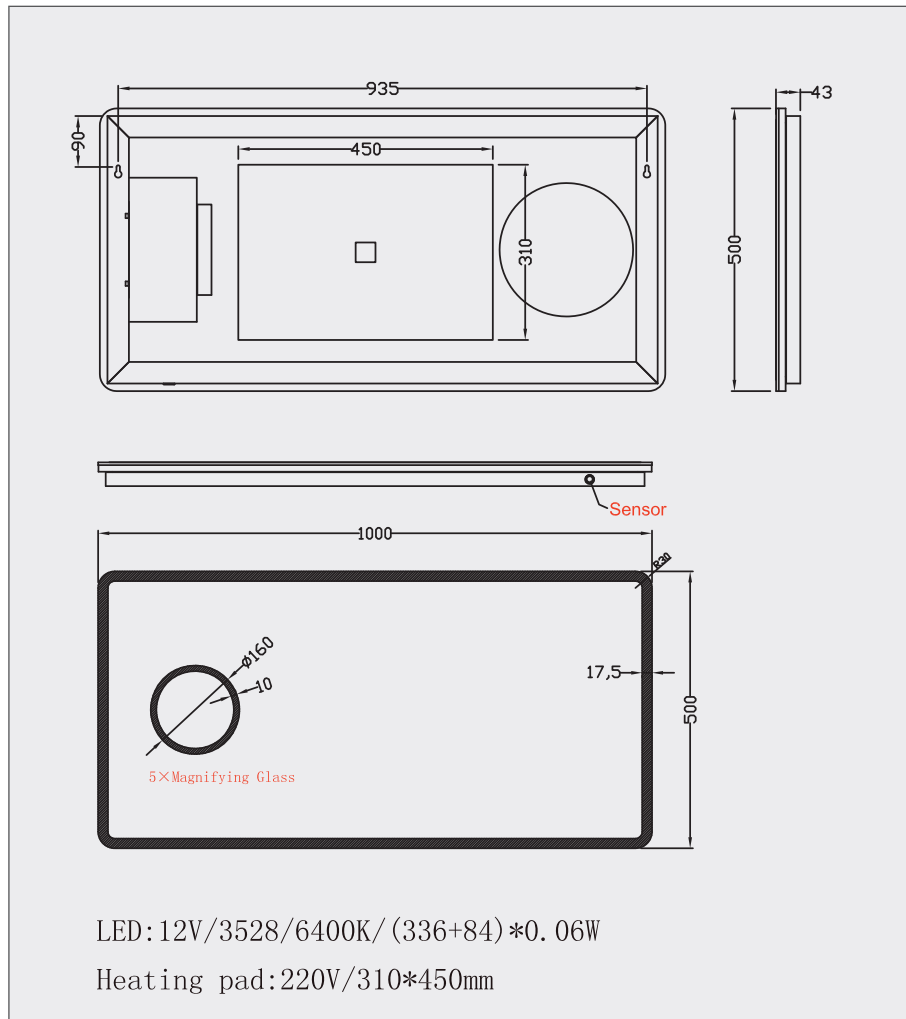


Linea Plus Zoom - 1000mm x 500mm

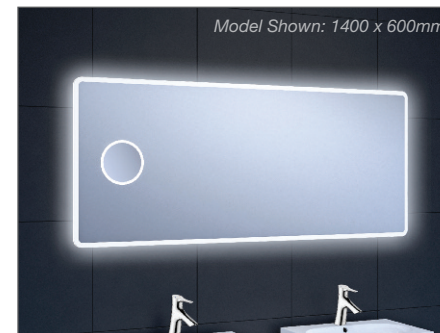


Linea Plus Zoom - 1000mm x 500mm

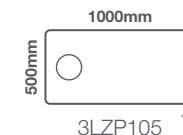
Code: 3LZP105

Features

- Energy efficient one piece LED lighting strip
- Aesthetically softer design
- Heated demister pad
- 5x Magnification in-built shaving mirror
- Infrared on/off sensor



Landscape Fitting Only



Units 3 & 4
16 Crawfordsburn Road
Newtownards
County Down BT23 4EA

Tel: +44 (0) 28 9182 8000
Fax: +44 (0) 28 9181 2888

Sales Enquiries

Email: info@aquallabrassware.com

Technical and Aftersales Support

Email: support@aquallabrassware.com



www.aquallabrassware.com

© 2019 Aqualla. All rights reserved.