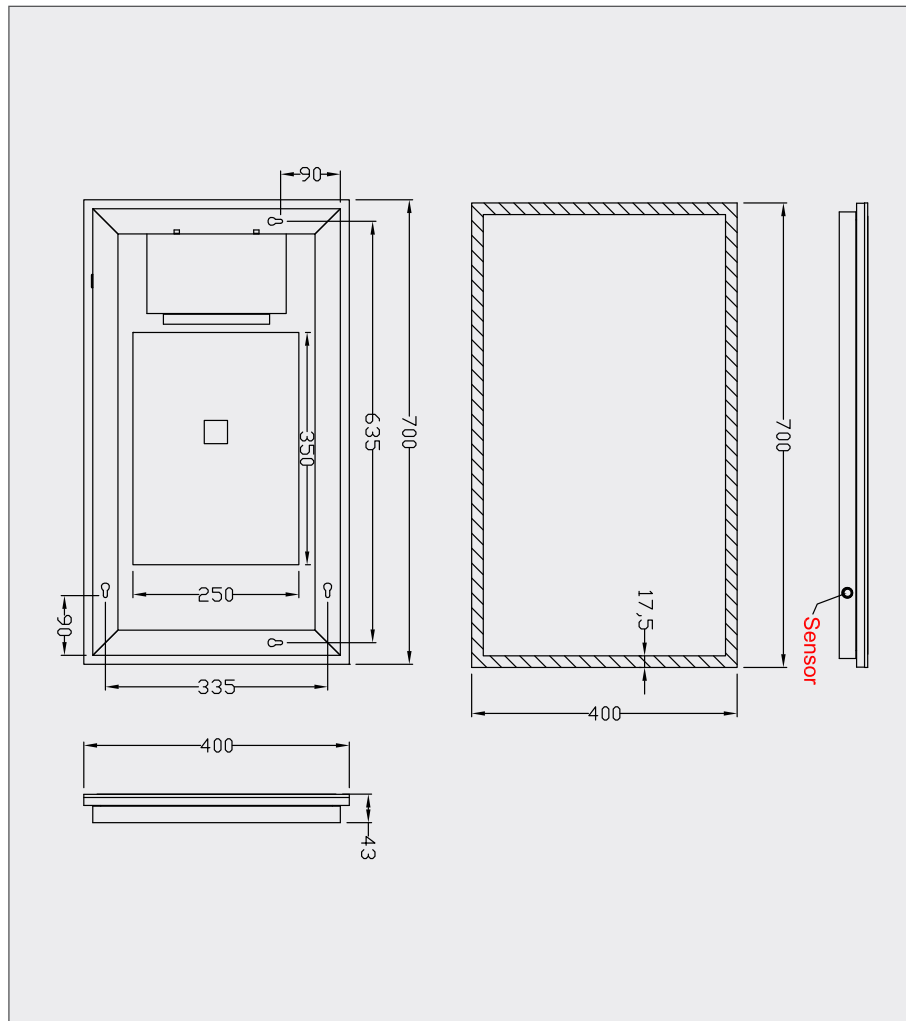


Linea LED Mirror - 700 x 400mm

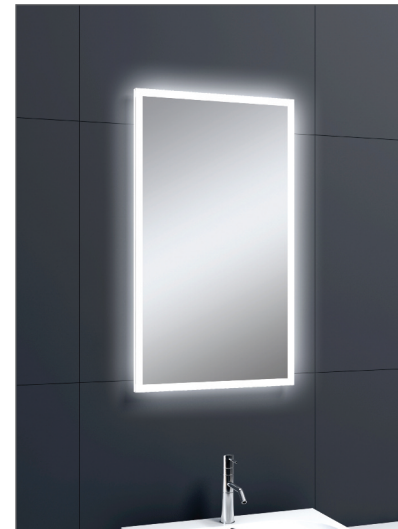


Linea LED Mirror - 700 x 400mm

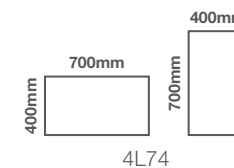
Code: 4L74

Features

- Energy efficient LED lighting
- Heated demister pad
- Infrared on/off sensor
- Landscape or portrait fitting



Portrait or Landscape Fitting



Units 3 & 4
16 Crawfordsburn Road
Newtownards
County Down BT23 4EA

Tel: +44 (0) 28 9182 8000
Fax: +44 (0) 28 9181 2888

Sales Enquiries

Email: info@aquallabraceware.com

Technical and Aftersales Support

Email: support@aquallabraceware.com



www.aquallabraceware.com