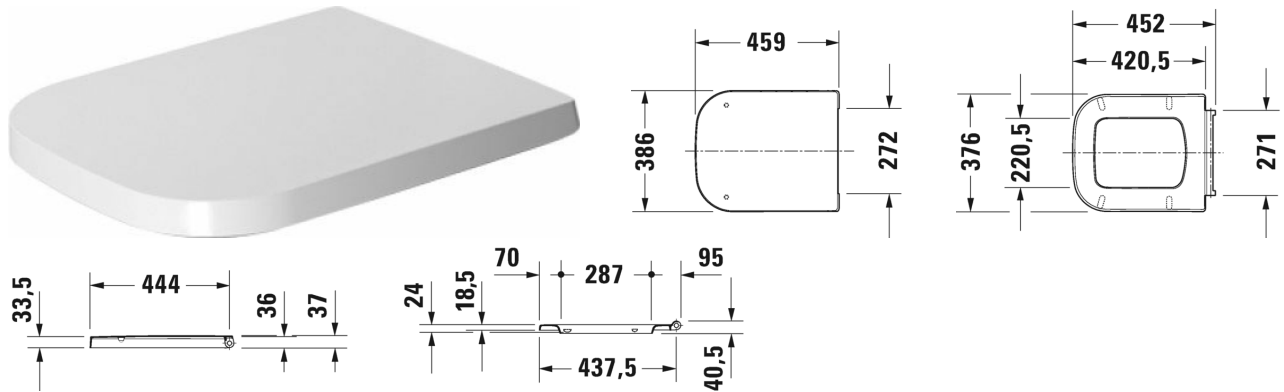


P3 Comforts Toilet seat and cover # 0020390000



Toilet seat and cover	Dimension	Weight	Order number
hinges stainless steel, removable, with soft closure			
Colors			
00 White Alpin			
Variant			
		2.200 kilogram	0020390000
Suitable products			
Toilet floor standing Duravit Rimless® rimless, back to wall, washdown model, fixings included, horizontal outlet, UWL class 1, 380 x 600 mm			216609
Toilet wall mounted Duravit Rimless® rimless, washdown model, Durafix included, UWL class 1, 380 x 570 mm	380 x 570 mm		256109

All drawings contain the necessary measurements which are subject to standard tolerances. They are stated in mm and are non-binding. Exact measurements, in particular for customised installation scenarios, can only be taken from the finished piece.